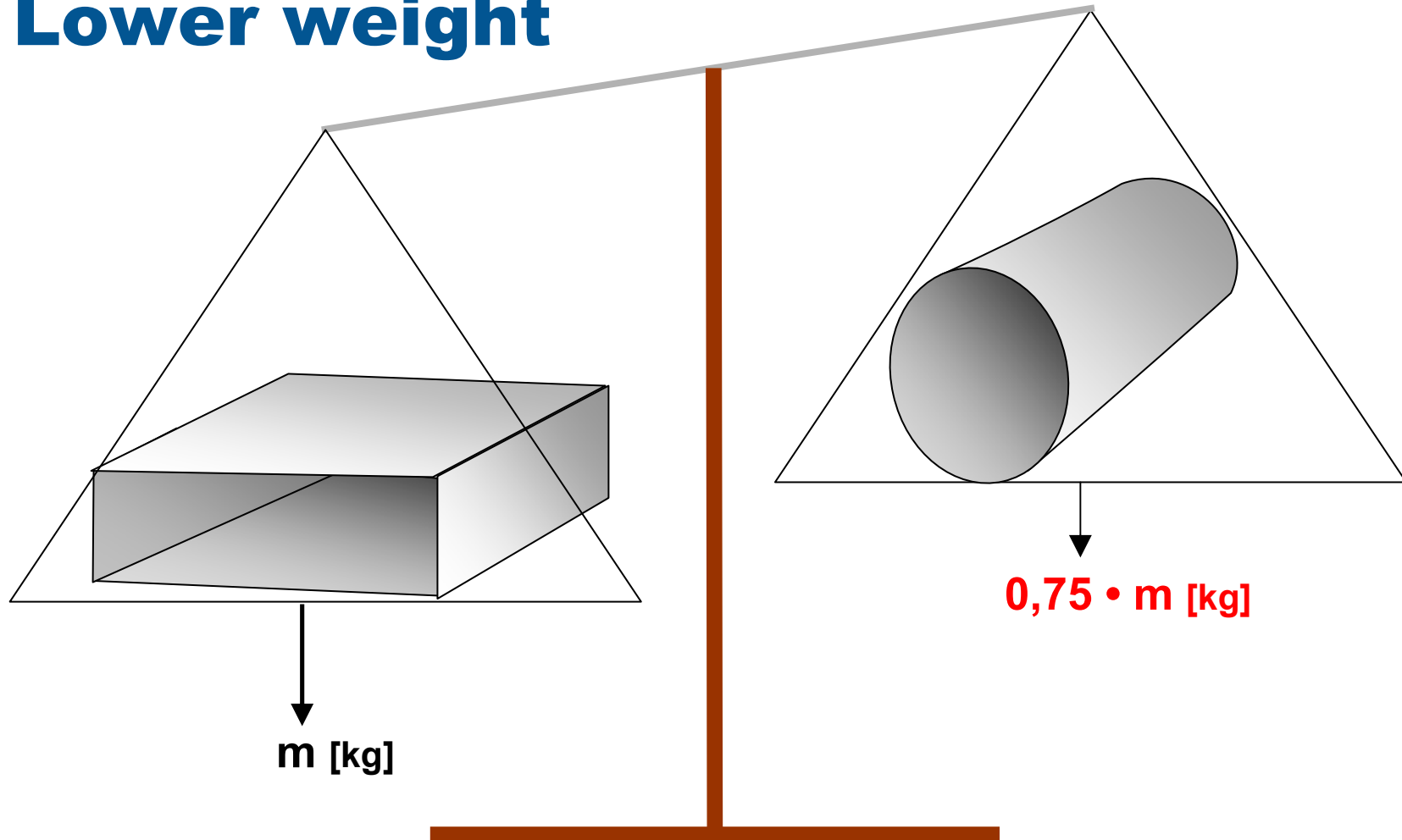


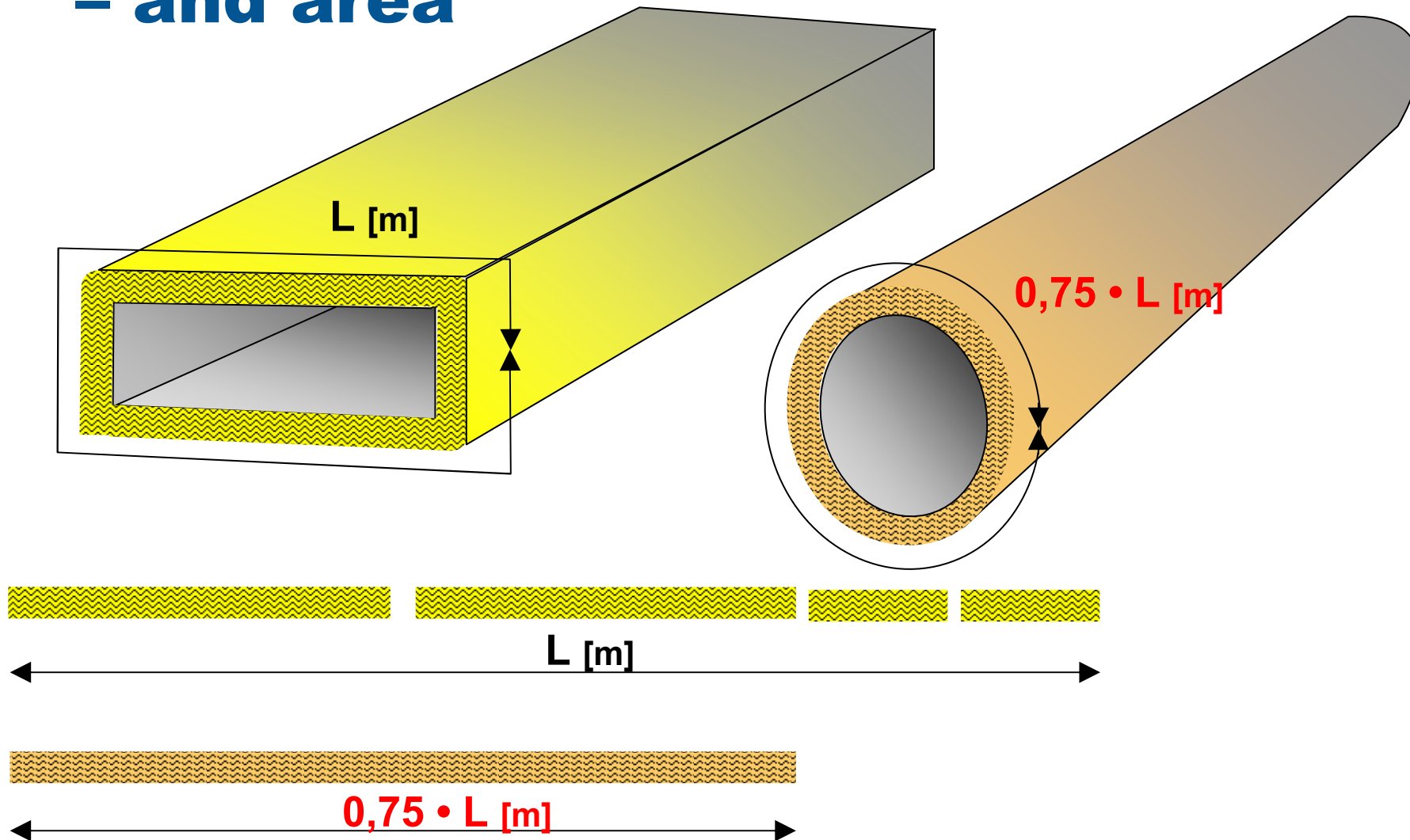


Lower weight



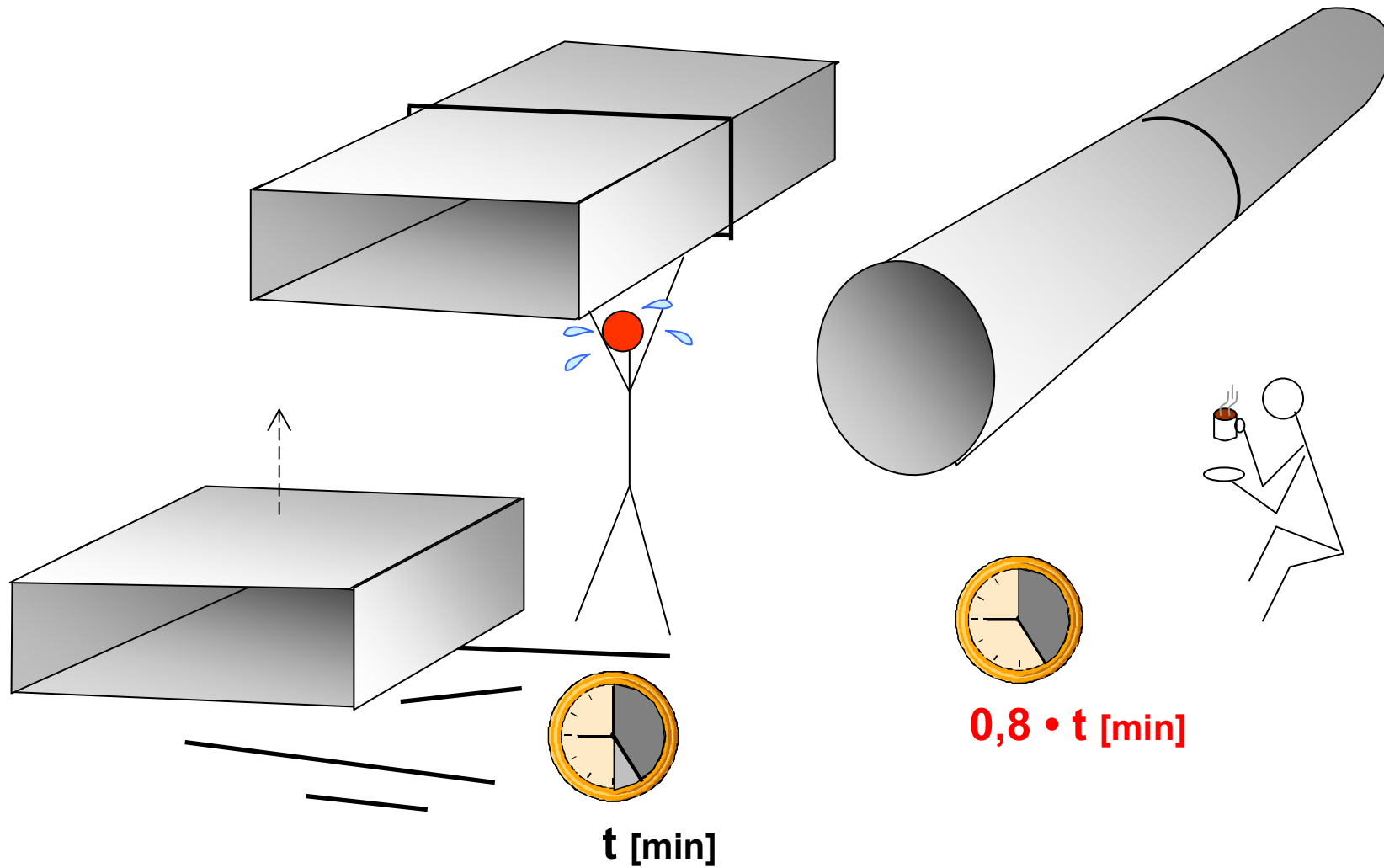


Shorter insulation circumference – and area



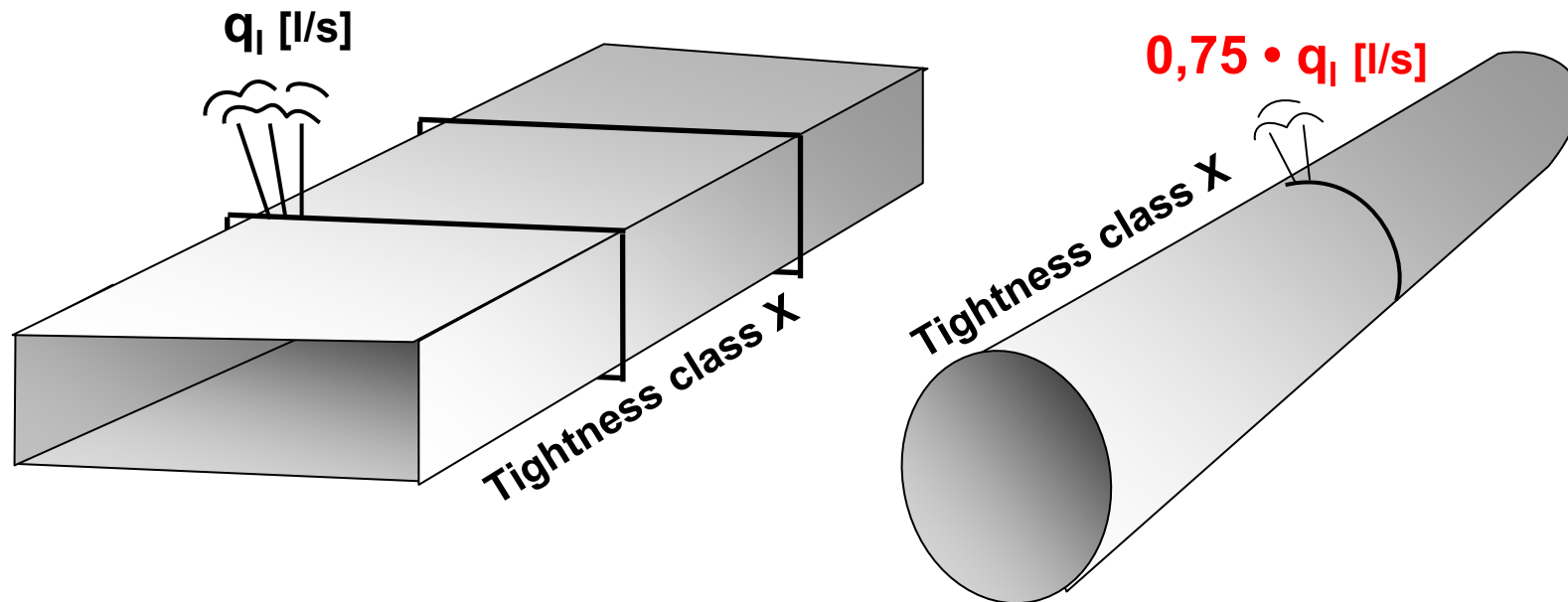


Shorter installation time





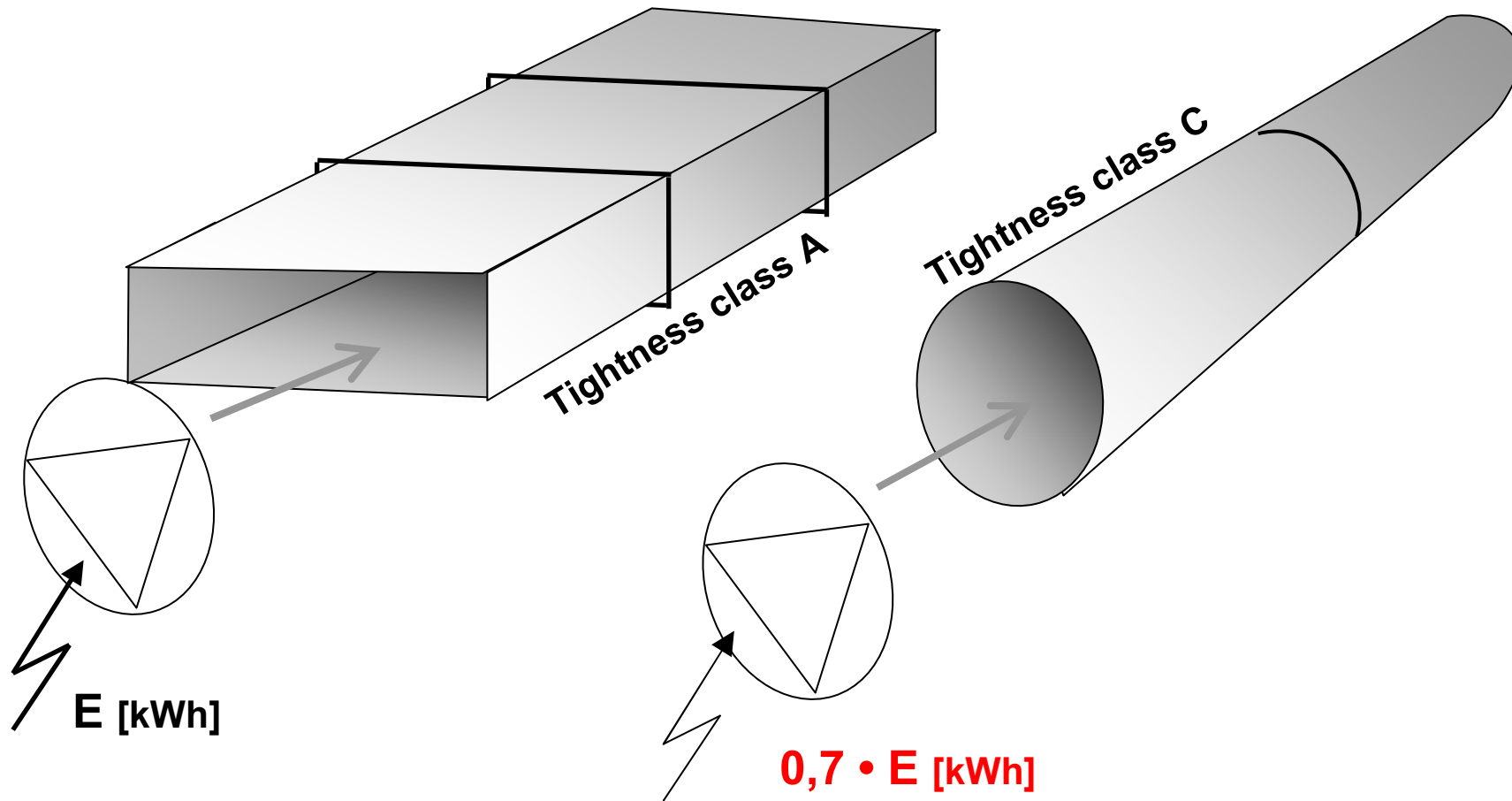
Lower air leakage



Note!
The same tightness class
for both systems.



Lower fan energy use





Lower heating/cooling energy use

